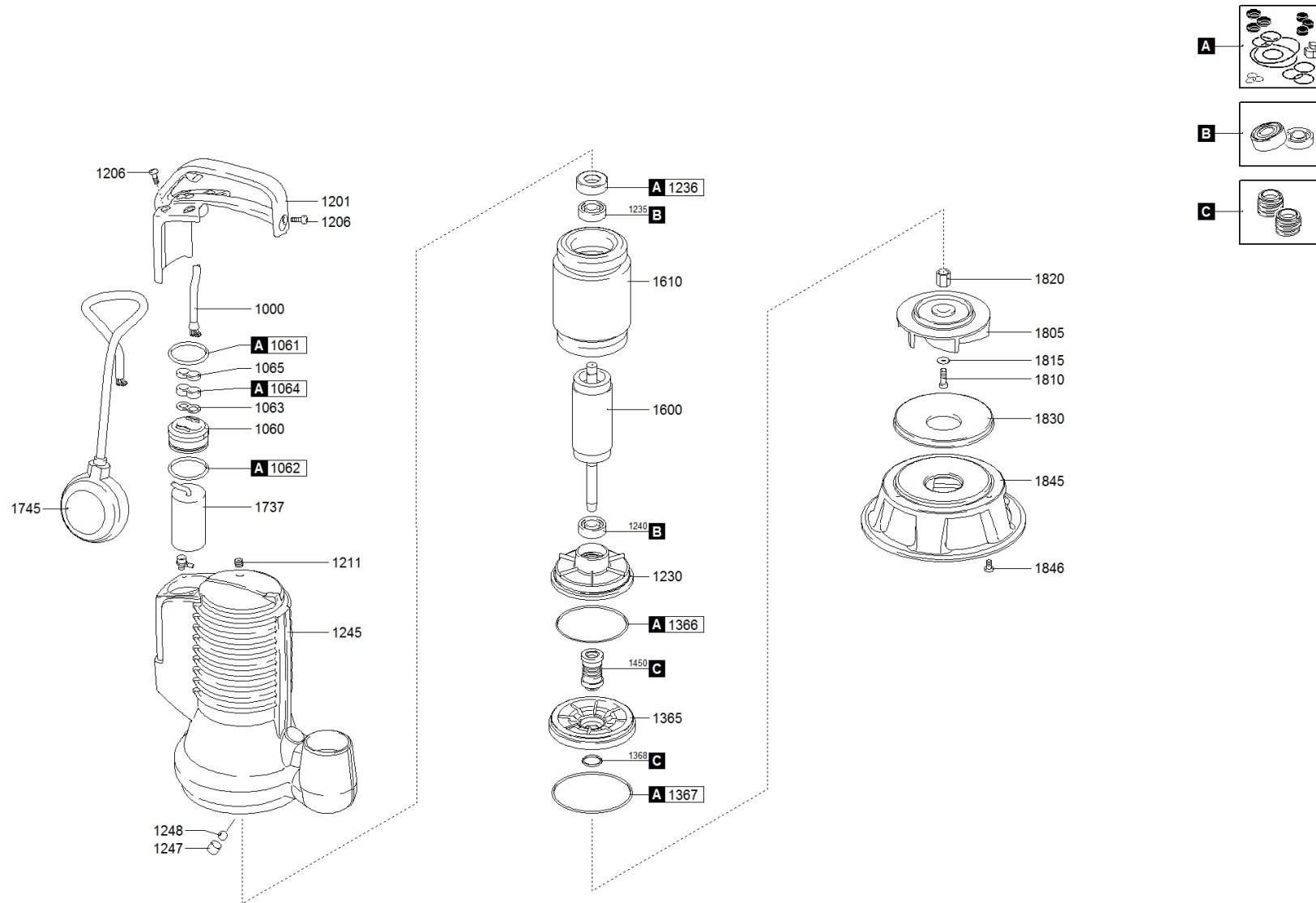


1046.011 - DGBLUE 100/2/G40V A1BM5 NPTGB41U23NW0CX





water solutions



1046.011 - DGBLUE 100/2/G40V A1BM5 NPTGB41U23NW0CX

		Code		Description		Q.ty	Price (€)
A		601008001		GASKETS KIT	801156	1	
C		602008011		MECHANICAL SEALS KIT	802762	1	
B		604008301		BEARINGS KIT		1	
1000		250102304010200000		POWER CABLE		1	
1060		239768026156		HOLDER [CABLE GLAND]	805885	1	
1061		271770412835300000		UPPER GASKET - HOLDER [CABLE GLAND]	711030	1	
1062		271770040952620000		LOWER GASKET - HOLDER [CABLE GLAND]		1	
1063		235467024279		CABLE STOP		1	
1063		2732001100000		CABLE STOP		1	
1064		235678024236		RUBBER GASKET	711017	1	
1065		235467024241		CABLE GLAND		1	
1201		235360424137		CABLE GLAND HANDLE	804983	1	
1206		270830510140400000		SCREW [CABLE GLAND HANDLE >> COVER]		5	
1211		270139510104000000		CAP [TIGHTNESS TEST]	802099	1	
1230		230556223465		LOWER BEARING HOLDER		1	
1235		2729062010200000		UPPER BEARING	711365	1	
1236		238579023531		RUBBER PROTECTION [UPPER BEARING]		1	
1240		2729062010200000		LOWER BEARING	711365	1	
1245		231016224961		MOTOR CASE		1	
1365		2391000015023462		MECHANICAL SEAL FLANGE		1	
1366		271770088035000000		GASKET [LOWER BEARING HOLDER >> MECHANICAL SEAL FLANGE]		1	
1367		271770108026000000		GASKET [MECHANICAL SEAL FLANGE >> BASE]		1	
1368		237970100160600000		V-RING [MECHANICAL SEAL FLANGE]		1	
1450		230005060120000000		MECHANICAL SEAL		1	
1600		230233611623481		SHAFT WITH ROTOR		1	
1610		231101161001000000		WOUND STATOR	802375	1	
1737		2517020000000		CAPACITOR	711021	1	
1745		254500405100001		FLOAT SWITCH		1	
1805		21416400790523529		IMPELLER	711170	1	
1810		270830510200400000		LOCKING IMPELLER	711026	1	
1815		270530202073000000		LOCKING WASHER [IMPELLER]		1	
1820		2307405623457		BUSH [IMPELLER]		1	
1845		2145611323900		BASE	711171	1	
1846		270830510100400000		SCREW [BASE >> MOTOR CASE]		3	

